



QUANTUM

MODULE INSTRUCTIONS

MKZ3 FOR QUANTUM BATTERY 1/1+ AND QUANTUM BATTERY 1 *COMPACT*

XKZ3 FOR BANTAM BATTERY AND QUANTUM BATTERY 1 *COMPACT*

U.S. Patent # 4,988,584

INTRODUCTION:

Modules **MKZ3** and **XKZ3** were specially designed for use with: **Nikon** SB24, 25,26, 28, 28Euro, 80DX, 800; **Canon** 540EZ, 550EX; **Contax** TLA360; **Metz** 54MZ3 & 4, **Minolta** 5600 HS &D; **Olympus** FL50; Sunpak PZ5000AF -- (See Fig 1.) Also, **Nikon** SB27 -- (See Fig. 2)

IMPORTANT!

Do not exceed the flash manufacturers maximum allowance of consecutive full power flashes without letting the flash cool down for a minimum of 10 minutes. If no recommendation is given, do not exceed 36 consecutive flashes without a 10 minute cool-down period.

INSTRUCTIONS FOR QUANTUM BATTERY 1, 1+, 1C (*Compact*)

1. Turn the Quantum Battery OFF.
2. Install the module into the flash as shown below in Figures 1 or 2.
3. Plug the module into one of the flash outputs on the Quantum Battery 1, 1+, 1C.
4. Turn the Quantum Battery 1, 1+, 1C on. **If the flash does not power up * within one second, turn the Quantum Battery 1, 1+, 1C OFF immediately **.** See Notes !

INSTRUCTIONS FOR BANTAM BATTERY

1. Install the module into the flash as shown below in Figures 1 or 2.
2. Plug the module into one of the flash outputs on the Bantam Battery or the Quantum Battery 1C.
3. **If the flash does not power up * within one second, remove the plug from the Bantam Battery or Quantum Battery 1C immediately **.** See Notes !

FIGURE 1: For most flash models

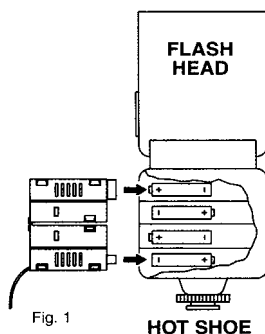
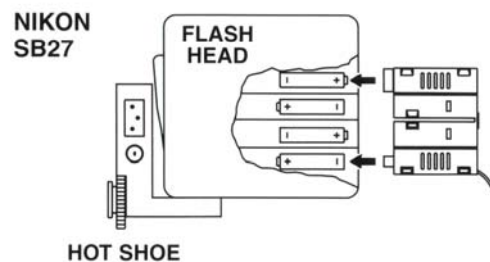


FIGURE 2: For Nikon SB27



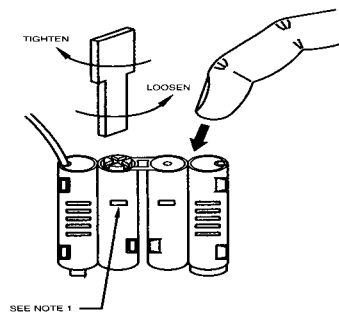
NOTES:

For Quantum Battery 1 Compact: This battery works with either MKZ3 or XKZ3. Use the MKZ3 when the pack is belt-mounted. Use the XKZ3 when the pack is mounted under the camera.

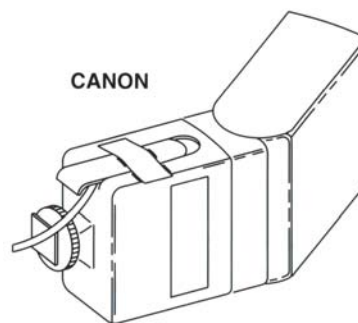
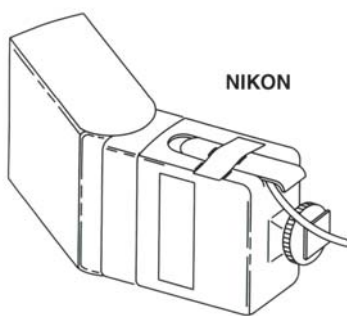
- * You can tell the flash is powered-up by checking to see if the LCD Panel on the flash becomes active, or by listening for the whine of the flash recycling.
- ** If the flash does not respond, check to see if the module is correctly orientated inside the flash. If you still have difficulty, consult your dealer or contact us for assistance before proceeding.

SECURING THE MODULE:

1. Using plastic screwdriver (attached to cord) turn screw in module counterclockwise 3 turns, or until wedges retract fully.
2. Install module into the flash in correct orientation as shown in Fig. 1 or 2.
3. Press module down firmly with finger and turn screw clockwise approximately 3 full turns. OR UNTIL YOU FEEL SOME RESISTANCE, DO NOT OVER TIGHTEN.
4. Pull module cord gently to assure that the module is secure.



5. Some flashes (such as SB800) allow removal of the battery cover -- refer to its instruction manual.
6. For other flashes the battery door can be held closed using the hook and loop strips provided. Place one adhesive backed strip on each side of the battery door. Secure the door using one 4" (10cm) long strip.



QUANTUM INSTRUMENTS INC.
1075 Stewart Ave. Garden City NY 11530
516 222 6000 (TEL) 516 222 0569 (FAX)
quantrep@qtm.com www.qtm.com