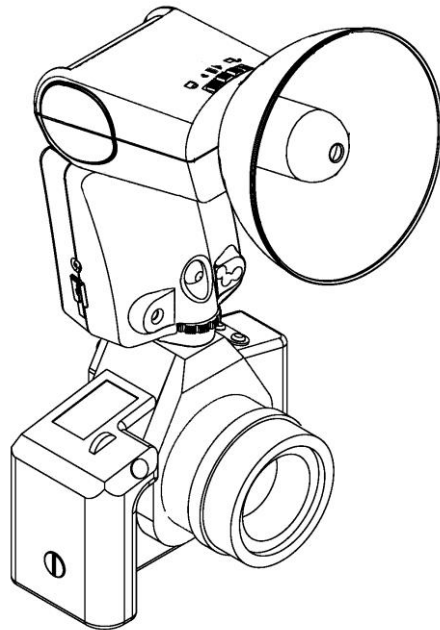




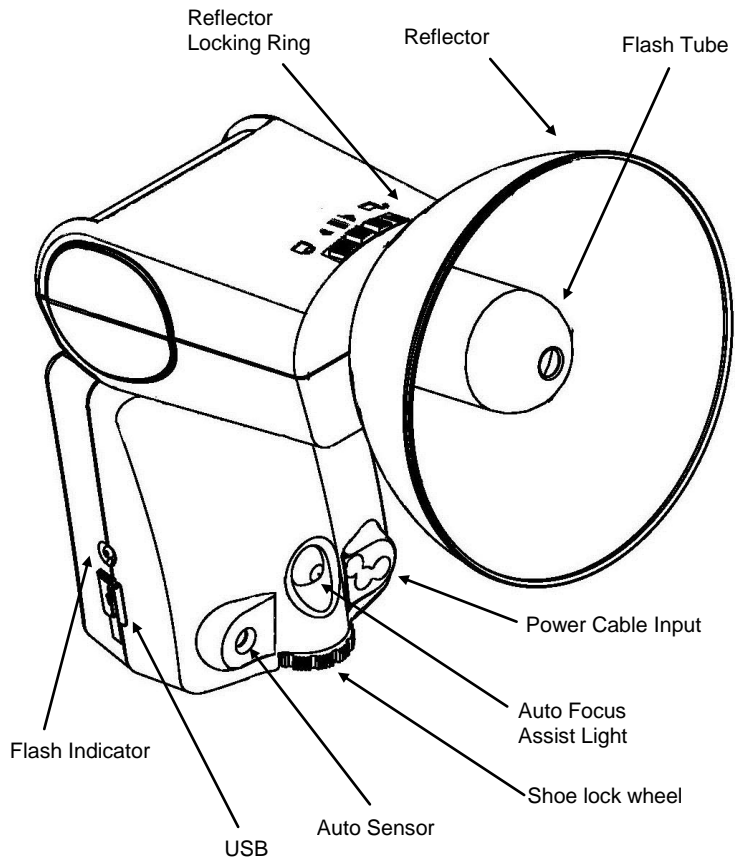
**Qflash<sup>®</sup> Trio QF8**  
**Shoe Mount Digital Flash**

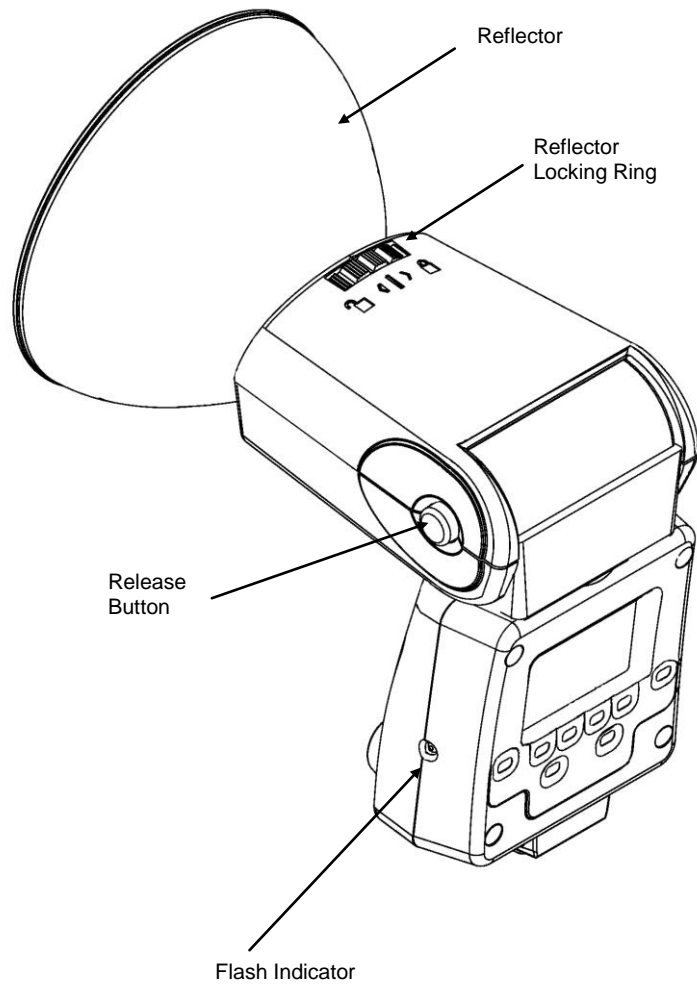
**Operating Instructions**



**Quantum Instruments**  
Designed and manufactured in the USA









## Table of Contents

<u>Section</u>
1. Introduction
2. Warnings
3. Advanced Features Summary
4. Getting started
5. Basic Navigation
6. On Camera / Remote
7. Radio set up
8. Exposure Modes
8.1 QTTL Mode
8.2 AFILL / AUTO Mode
8.3 Manual Mode
9. Options
10. Operating Modes
10.1 Ez Mode
10.2 Advanced Multi
10.3 PreSet Mode
11. Customer service

## 1. INTRODUCTION

Quantum's "Trio" series flash integrates camera dedication, Qflash quality light, and Quantum's FreeXWire radio technology. A Trio mounted in a camera hot shoe wirelessly controls remote Trios in multiple modes.

And, many features of the Trio will enhance your lighting control when used with Qflash 5d-R and FreeXWire FW7Q, FW8R, FW9T, and FW10w.

While powerful and extremely versatile, the operation of the Trio is intuitive and straightforward. Many of the wireless modes will set the Radio to Transmit (Tx) or Receive (Rx) automatically. We encourage you to start pushing buttons and explore the operation of the Trio.

Older Qflash models will work with some of the Trio modes and can also be upgraded to increase their compatibility with the new Trio. Visit [www.qtm.com](http://www.qtm.com) to download instructions for using older model Qflashes with the new Trio and information about upgrades.

Note : Trio models are dedicated to only one brand of camera. Example, QF8N for Nikon, QF8C for Canon. Use only the Trio model for your camera brand.





## 2. WARNINGS



**CAUTION**  
RISK OF ELECTRIC  
SHOCK. DO NOT OPEN.



**WARNING : TO REDUCE THE RISK OF ELECTRICAL SHOCK, DO NOT OPEN THE QFLASH. NO USER SERVICEABLE PARTS INSIDE. REFER SERVICING TO QUALIFIED SERVICE PERSONNEL.**



The lightning flash with arrowhead symbol within an equilateral triangle is intended to alert the user to the presence of uninsulated “dangerous voltage” within the Qflash’s enclosure that may be of sufficient magnitude to constitute a risk of electric shock to the person.



The exclamation point within an equilateral triangle is intended to alert the user to the presence of important operating instructions accompanying the Qflash.



**DISCONNECT EXTERNAL POWER BEFORE CHANGING THE FLASH TUBE, CONNECTING OR DISCONNECTING TO/FROM CAMERAS, POWER PACKS, OR ANY OTHER EQUIPMENT.**



**OPERATE ONLY WITH A FLASH TUBE IN THE SOCKET**

**DO NOT TOUCH THE FLASH TUBE SOCKET WITH METAL OBJECTS**

**THIS IS A PROFESSIONAL INSTRUMENT. KEEP AWAY FROM CHILDREN**

**TO REDUCE THE RISK OF ELECTRIC SHOCK, DO NOT EXPOSE QFLASH TO RAIN OR MOISTURE.**



### 3. Advanced Features Summary

The chart below summarizes the advanced features for various Qflash series. A “U” means the Qflash model will have this feature when upgraded to series 5d-R. An “F” means this feature is available in the model shown. An “N” means the feature is not available. Visit qtm.com for upgrade procedures and costs.

Feature	QF4d	QF5d	QF5d-R	Trio
Wireless Control in Nikon/Canon systems with Qnexus	U	U	F	N
Wireless multiple <i>ratio</i> TTL ( Qf5d-R requires Dw-R Adapters & FreeXWire)	U	U	F	F
Wireless preflash TTL ( Qf5d-R requires Dw-R Adapters & FreeXWire)	U	U	F	F
Wireless remote Auto / Auto Fill mode	U	F	F	F
Zone control of FW7Q from panel of Qflash	U	F	F	F
Flash ready indication in camera viewfinder (camera detects flash and sets shutter)	F	F	F	F
Shutter speed control	F	F	F	F
Rear Curtain Sync	F	F	F	F
High speed sync	N	N	N	F
Auto focus assist	F	F	F	F
Auto Fill ratio	F	F	F	F
Flash exposure lock	N	N	N	F

### 4. Getting Started

#### 4.1 Restoring Factory settings

You can restore the factory settings by the following method:

1. Turn Turbo OFF, connect Trio to Turbo.
2. Press and hold any button on the Trio.
3. Turn Turbo ON.
4. The Qflash will display a reset message and some soft key options  
See section 9.1 for display of reset message.

**RESET ALL** - will restore all the factory settings.

**KEEP P1 P8** - will keep your stored Program modes, but reset everything else to factory settings.

**EXIT** – will exit the reset menu without changes



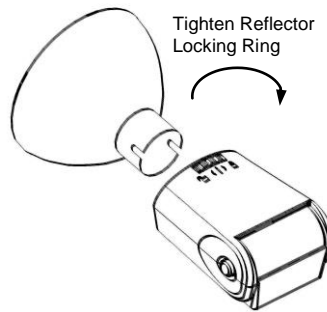
#### 4.2 Inserting the Flash Tube

Match the red dot on the base of the flash tube with the red dot in the socket of Qflash. Push the flash tube in until it is seated snugly into the socket. Excessive force is not required.

Replace the flash tube only with Quantum type QF30 or QF30uv for Qflash model T5d / T5d-R. Other flash tubes will not provide proper exposure, may not work at all, or they may damage the Qflash.

#### 4.3 Reflectors and Bare Bulb

Reflectors are secured by the locking ring near the base of the reflector. Rotate the ring in the directions shown in the diagram to loosen or tighten the reflectors.



When inserting a reflector, first slowly rotate it until the notch in the reflector "drops" fully into head of the Qflash. Then tighten the locking ring. If you do not let the reflector drop fully into the Qflash before locking it, the reflector may become loose during use.

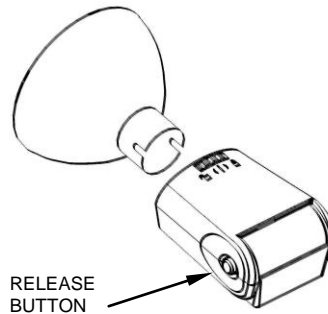
The "normal" QF60 reflector is supplied with Trio. Other light modifiers are available as options from your dealer.



Reflector / modifiers	Approx. Angle	Guide No. for ISO 200
Normal QF60	55	150ft / 49m
QF60 w/flat diffuser	90	100ft / 30m
QF67A Dome diffuser	120	80ft / 26m
QF62Bs/g Bare Bulb Reflector	180	62ft / 27m
QF63B Tele Reflector	20	322ft / 98m
QF 68 Soft Box	170	62ft / 27m
QF69 Mini Soft Box		

#### 4.4 Bounce and Swivel Head

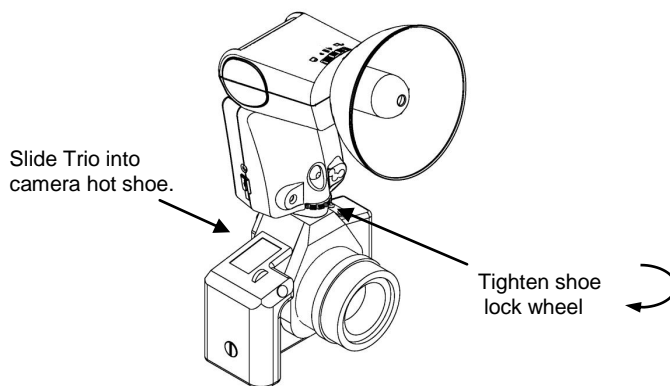
The head position is locked and can be changed with a single button (see diagram). Press and hold this button, then adjust the head to the desired position. Release the button, and slightly move the head until it "clicks" and locks the head into the vertical and horizontal planes.





#### 4.5 Connecting Trio to a Camera

Loosen Shoe lock until metal “foot” protrudes fully.



#### 4.6 Powering the Trio

**Before turning on any power to Trio always make all electrical connections first, both to the camera and to the power pack.**

The Trio is powered by any Quantum Turbo Battery including Turbo, Turbo 2x2, Turbo Compact, Turbo SC, Turbo AC and Turbo Z.

Plug the Trio power cable into the flash, then into the output connection of the power pack.

If a “Check Turbo” message appears on the Trio display, turn off the Turbo, wait one second, and turn it on again. If the message appears again, the power pack needs recharging.

#### Very Important Tips

**For consistent exposures with your digital camera and Trio.**

- Always do a custom white balance before shooting
- When shooting TTL use Aperture or Shutter priority or Manual camera modes (P mode gives inconsistent exposures)
- Set your metering area to center weight, partial metering instead of matrix or multi-spot metering.



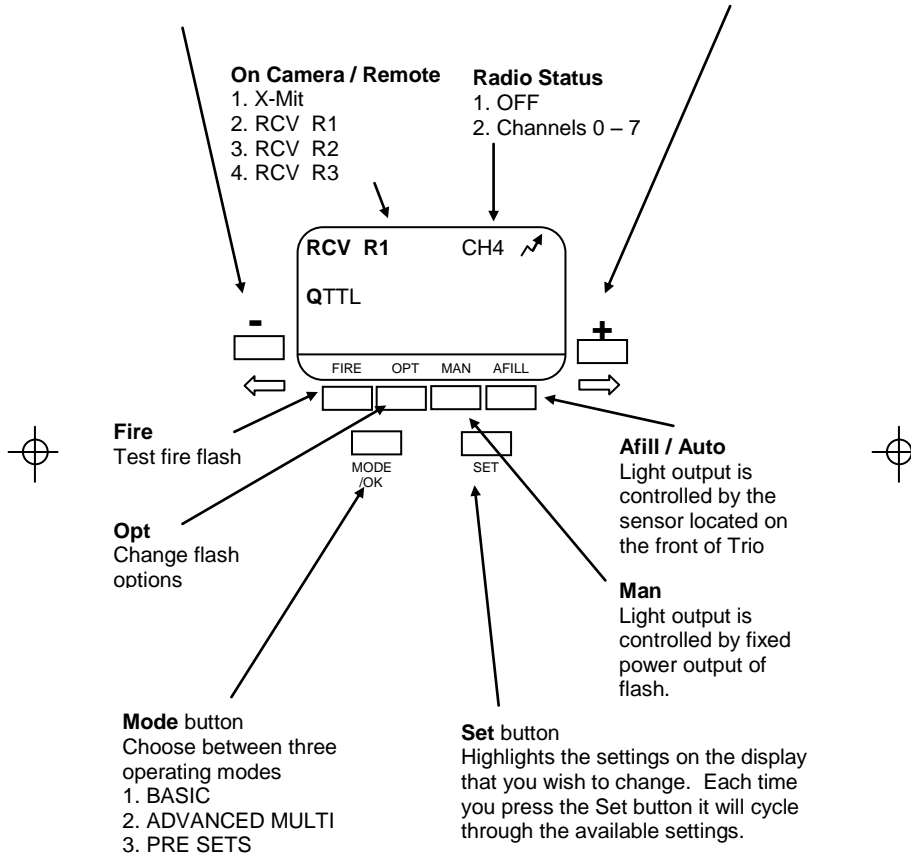




## 5. Basic Navigation

This Section explains how to maneuver your way around the Trio

When a setting is highlighted on the display the **Left (-) ←** and **Right (+) →** buttons will change that selection or setting.

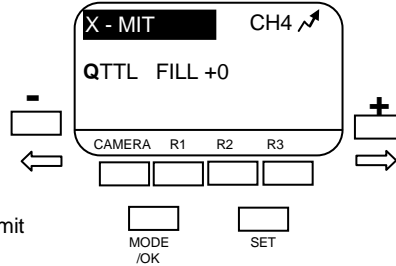




## 6. X- MIT or RCV (Receive)

Press the **SET** button until the **X – MIT / RCV** setting is highlighted.

Use the **Left (-) ←** and **Right (+) →** buttons, or the soft keys located at the bottom of the display to select from one of the following :



1. X-MIT – on camera / transmit operation
2. RCV R1– remote group R1
3. RCV R2– remote group R2
4. RCV R3– remote group R3

Remote groups receive camera and exposure information from *TRIO*, *PILOT*, or *CoPilot* in the hot shoe of the camera.

To create distinctive and unique lighting, each group may be set to a different exposure setting.

Setting the exposure of each group can be done through the *TRIO*, *PILOT*, or *CoPilot* in the hot shoe of the camera , or at the remote flash.

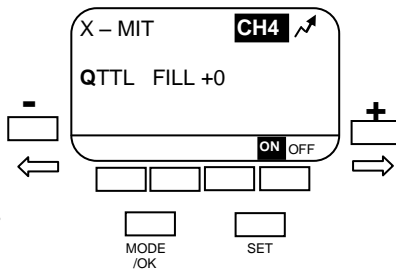


## 7. Setting the radio

Press the **SET** button until the **Radio status** setting is highlighted.

Use the **Left (-) ←** and **Right (+) →** buttons to choose from channels 0 through 7.

**Note:** The channel number must be the same for all your Quantum radio products



The **ON / OFF** soft key located on the bottom right of the display may be used to quickly turn the radio on or off.

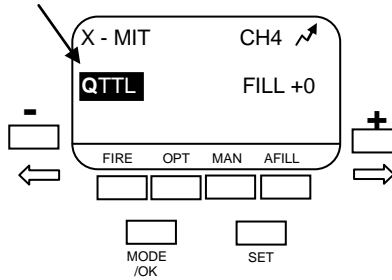




## 8. Exposure Modes

Press the **SET** button until the **Exposure Mode** setting is highlighted.

Use the **Left (-) ←** and **Right (+) →** buttons, or the soft keys located at the bottom of the display to choose how the exposure will be controlled.



### Q TTL

Uses the exposure system built into the camera. You may offset exposure by 2 stops above or 3 stops below camera setting.

Use this mode if you want the camera to control the exposure.

See Section 8.1 for details.



### AFILL / AUTO

Light output is controlled by the sensor located on the front of Trio.

Use this mode if you want the Trio sensor to control the exposure.

See Section 8.2 for details

### MAN

Light output is controlled by fixed power output of flash.

Use this mode if you want the most accurate and repeatable exposures possible

See Section 8.3 for details.





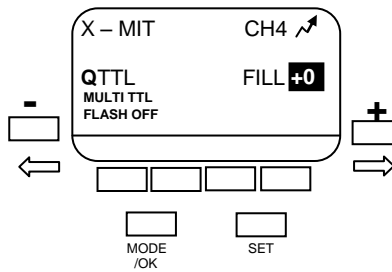
## 8.1 QTTL exposure

QTTL mode uses the exposure system built into the camera. You may offset exposure by 2 stops above or 3 stops below camera setting.

### 8.1.1 On Camera

To adjust the exposure press the **SET** button until the **FILL** setting is highlighted.

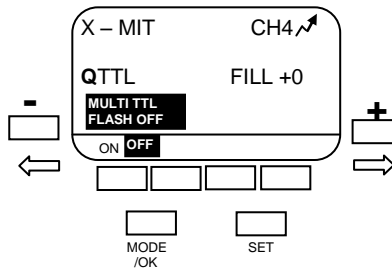
Use the **Left (-) ←** and **Right (+) →** buttons to adjust the exposure up (brighter) or down (darker).



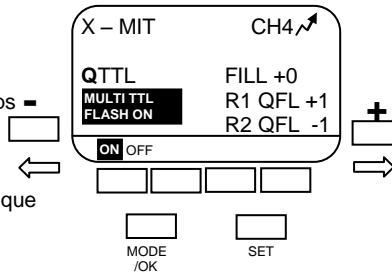
#### Advanced feature

To control the exposure of other remote groups, press the **SET** button until the **RATIO FLASH** setting is highlighted.

Use the soft key located at the bottom left of the display to turn on the ratio feature.



Once the ratio flash feature is turned on you can control the exposure of remote groups R1 and R2.



By adjusting R1 and R2 you can create distinctive and unique lighting.

To adjust R1 / R2, press the **SET** button until their exposure value is highlighted, then use the **Left (-) ←** and **Right (+) →** buttons to adjust the exposure up (brighter) or down (darker).





### Use with QLINK

Press the **SET** button until R1 or R2 are highlighted. Use the soft keys located at the bottom of the display to select the remote flash type.

Remote flash types:

QFL – Remote flash is a Qflash.

800 – Remote flash is a NIKON SB800 with a QLINK adapter.

900 – Remote flash is a NIKON SB900 with a QLINK adapter.

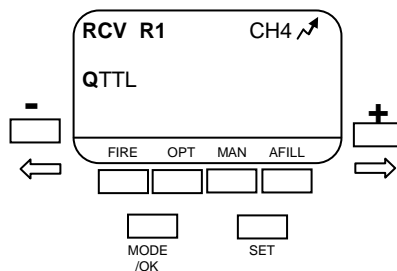
CAN – Remote flash is a Canon flash with a QLINK adapter.

### **8.1.2 Remote Groups**

Select **R1**, **R2** or **R3** Remote Group. Remote groups are used for setting the mode and exposure of remote flashes independent of each other. Mode and exposure of a Remote Group can be controlled by a *TRIO*, *Pilot* or *CoPilot* located in the hot shoe of the camera.

If you choose, you may set the mode and exposure of the remote flash yourself and simply use the *TRIO*, *Pilot* or *CoPilot* located in the hot shoe of the camera to trigger the remote flash. This is the default setting of the *TRIO*.

For remote groups in QTTL exposure mode, exposure adjustment is done through the *TRIO*, *PILOT*, or *CoPilot* in the hot shoe of the camera.





## 8.2 AFILL / AUTO exposure

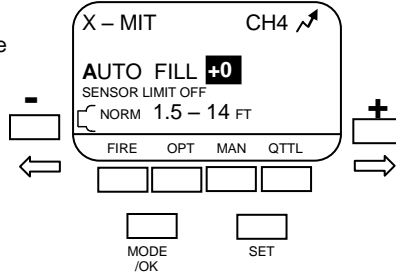
Light output is controlled by the sensor located on the front of the *TRIO*.

### 8.2.1 On Camera

F/number, ISO are sent to the flash from the camera.

To adjust the exposure press the **SET** button until the **FILL** setting is highlighted.

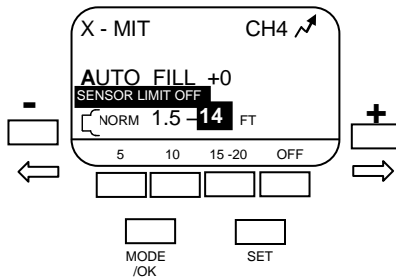
Use the **Left (-) ←** and **Right (+) →** buttons to adjust the exposure up (brighter) or down (darker).



### Auto Sensor Limit

Light output is controlled by the sensor located on the front of the *TRIO*. This sensor reads the light that is reflected from the subject. When the subject has no background, someone standing in an open field, The sensor will tend to overexpose the subject.

Sensor limit will correct this by instructing the flash to read only objects within the limit set by you. To set the sensor limit press the **SET** button until the sensor limit is highlighted.



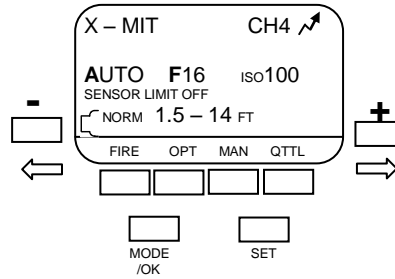
Use the softkeys located under the display to select desired the sensor limit, or to turn the sensor limit off.



### Advanced feature

The default setting of the *TRIO* uses the F/number and ISO information from the camera. It is possible to override the camera settings and enter an independent F/number and ISO.

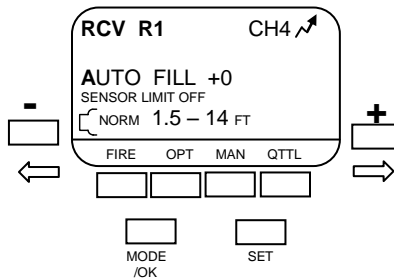
To override the default setting set the **F-ISO** to **FLASH** in the options menu.



### 8.2.2 Remote Groups

Select **R1**, **R2** or **R3** Remote Group. Remote groups are used for setting the mode and exposure of remote flashes independent of each other. Mode and exposure of a Remote Group can be controlled by a *TRIO*, *Pilot* or *CoPilot* located in the hot shoe of the camera.

If you choose, you may set the mode and exposure of the remote flash yourself and simply use the *TRIO*, *Pilot* or *CoPilot* located in the hot shoe of the camera to trigger the remote flash. This is the default setting of the *TRIO*.



For remote groups in AFILL exposure mode, exposure is controlled by the sensor located on the front of the *TRIO*. *F/number* and *ISO* information from the camera is sent to the Remote *TRIO* wirelessly from the *TRIO*, *PILOT*, or *CoPilot* in the hot shoe of the camera. For AFILL exposure mode set the **F-ISO** option to **CAMERA**.

For remote groups in AUTO exposure mode, exposure is controlled by the sensor located on the front of the *TRIO*. *F/number* and *ISO* information is set by the user. For AUTO exposure mode set the **F-ISO** option to **FLASH**.

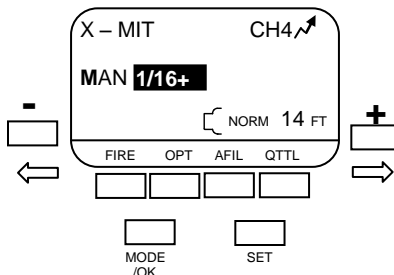


### 8.3 MAN exposure

Light output is controlled by fixed power output of flash

To adjust the exposure press the **SET** button until the power setting is highlighted.

Use the **Left (-) ←** and **Right (+) →** buttons to adjust the power up (brighter) or down (darker).



#### Shooting in Manual exposure

F/number and ISO information come from the camera. To set the flash for a correct exposure, adjust the power setting until the distance shown on the flash matches the distance to the subject.

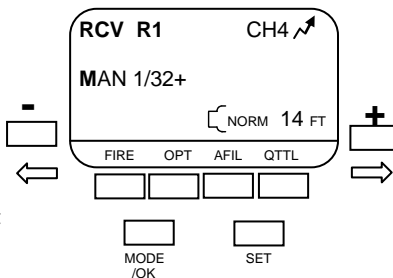
#### Advanced feature

The default setting of the *TRIO* uses the F/number and ISO information from the camera. It is possible to override the camera settings and enter an independent F/number and ISO.

To override the default settings set the **F-ISO** to **FLASH** in the options menu.

#### 8.2.2 Remote Groups

Select **R1, R2** or **R3** Remote Group. Remote groups are used for setting the mode and exposure of remote flashes independent of each other. Mode and exposure of a Remote Group can be controlled by a *TRIO*, *Pilot* or *CoPilot* located in the hot shoe of the camera.



If you choose, you may set the mode and exposure of the remote flash yourself and simply use the *TRIO*, *Pilot* or *CoPilot* located in the hot shoe of the camera to trigger the remote flash. This is the default setting of the *TRIO*.

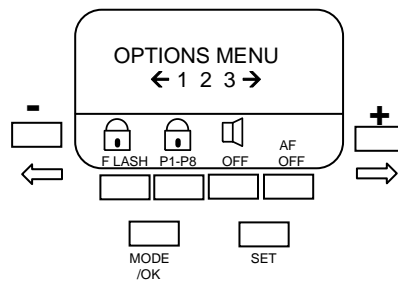






## 9. Options

Press the **OPT** (options) soft key to enter the options set up menu. To exit the set up menu press the **MODE/OK** or **SET** buttons



There are three options menus. Use the **LEFT (-) ←** or **RIGHT (+) →** arrows to select option menu 1, 2 or 3.

Use the softkeys located below the display to change the option shown.

### Option Menu 1

#### 9.1 Flash

Turning this option on will lock out the buttons and prevent any accidental changing of settings. To unlock the Trio Press the outer two soft keys when prompted.

#### 9.2 P1 – P8

Turning this option on will prevent any changes to the Presets P1 – P8.

#### 9.3 Speaker

You may want the speaker off for sensitive shooting, or turn it on for audible confirmation of flash exposure.

#### 9.4 AF

Auto focus assist light option.





## Options Menu 2

### **9.5 Feet / Meters**

Change the distance shown in display.

### **9.6 DL**

The back light of the display can be set to one of the following.

**AUTO** : The back light will come on whenever any button is pressed. This includes the shutter button of the camera

**ON** : The back light will be on all the time.

**DARK** : The back light will come on, and stay on, whenever a darkened room is entered.

### **9.7 Flash indicators**

The green Flash Indicators on either side of the Trio give visual indication that a flash fired, weather the exposure was good, over, under, or no flash, indicating that the flash did not fire. You can enable or disable the lights.



### **9.8 F/ISO**

F/number and ISO comes from the camera or is set on the flash by the user.



## Options Menu 3

### **9.9 AUTO CAL**

Adjust the calibration of the Auto mode from the factory setting.

### **9.10 MAN CAL**

Adjust the calibration of the Manual mode from the factory setting.

### **9.11 STUDIO Flash**

Use *TRIO* with studio remotes.

### **9.12 Reset**

Reset the *TRIO* to factory defaults.





## 10. Operating Modes

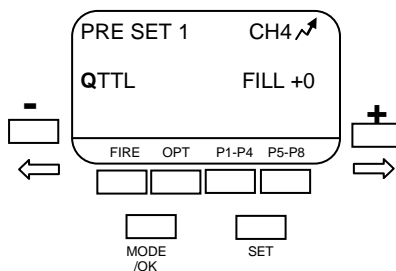
There are three operating modes for the *TRIO*. To change the operating mode of the *TRIO*, press the **MODE** button and then select the operating mode.

### EzPro

This is the default operating mode for the *TRIO*. Set your desired exposure mode, QTTL, AFILL/AUTO, or MANUAL. Select whether the flash will be used ON CAMERA or as a REMOTE.

### PreSet

The *TRIO*, allows you to store up to eight of your favorite settings for quick recall.



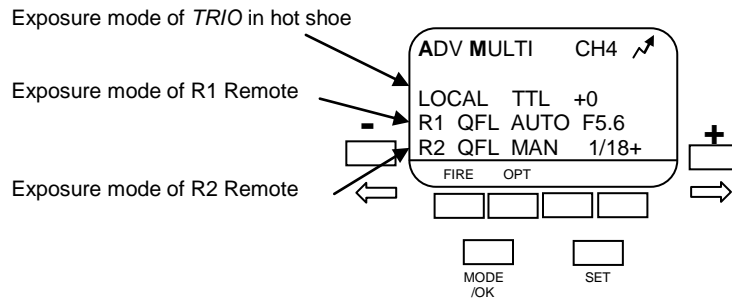
P1-P4 Softkey – Scroll through presets P1 to P4

P5-P8 Softkey – Scroll through presets P5 to P8



### Advanced Multi

This operating mode is used to control the expose modes of all remote Qflashes. With Advanced Multi you can mix the modes of remote Qflashes and create distinctive lighting patterns.



To change any setting or exposure mode, press the **SET** button until the setting you want to change is highlighted. Use the **Left (-) ←** and **Right (+) →** buttons to adjust the highlighted setting up or down.

When changing the settings or exposure mode for a remote flash, the information is sent wirelessly to the remote.



## 11. Customer service

Having any trouble using your Quantum product? We are here to help. Mail, call, fax, or email our Service Department:

Technical Support Department  
Quantum Instruments (A division of PromarkBRANDS)  
1268 Humbrecht Circle  
Bartlett, Illinois 60103-1631  
Tel: (800) 989-0505 Fax: (630) 830-2525  
Website: [www.qtm.com](http://www.qtm.com)

Troubleshooting tips are available at [www.qtm.com](http://www.qtm.com), Support, Customer Support, FAQ. If you suspect a malfunction or require adjustment, return the unit to us with an accurate description of the problem. Please be sure your problem is not caused by improper operating procedure or malfunctions in your other equipment. Send all equipment carefully packaged and insured to our address above.

An estimate of repair cost on out-of-warranty merchandise may be forwarded if you desire. This will require that we contact you for approval before proceeding and will delay return of your equipment. For fastest repair time, you may pre-approve repairs up to the limit of \$140 plus shipping with your credit card. We will bill only for the actual costs up to the limit. If repair costs exceed your pre-approval, we will contact you.

Paying by check will delay the repair until the check clears payment by money order is acceptable. (Up to 15 days delay).

Normal repair time is 10 – 15 business days. For expedited service, contact our Service Department.

### Summary:

- Ship via UPS, Parcel Post, or other carrier, insured.
- Give a clear, detailed description of the problem.
- Give your mailing address and daytime phone number, fax #, and/or email.
- For warranty repairs include a copy of the receipt.

In addition, for out-of-warranty repairs with pre-approval:

- Provide your Visa, MasterCard, or American Express card # and expiration date.
- Give us authority to charge costs up to \$140.00.
- Provide your billing address.

**Note:** Please do not e-mail your credit card information.

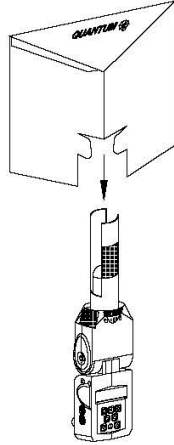
## Limited Warranty

Quantum products have a 1 year limited warranty. Please refer to the Limited Warranty card for complete details, conditions, and terms.

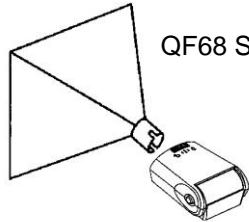
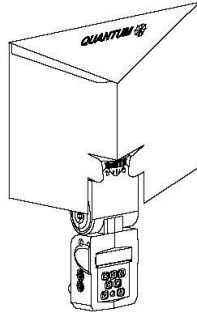




### TRIO / Qflash Accessories

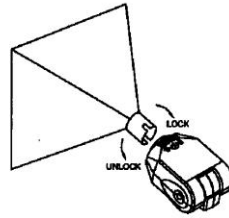


QF69 FOLDING SOFT BOX & HOT SPOT REDUCER



QF68 SOFTBOX

QF8N  
QF8C



QFT4d/X4d  
QFT5d/X5d



### Other Accessories

Model	Description
QF60B	replacement reflector
QF61B	"snoot" for pinpoint lighting
QF62Bs	bare bulb enhancer - silver
QF62Bg	bare bulb enhancer - gold
QF63B	telephoto reflector – incl. QF63s
QF63s	flash tube spacer for QF63
QF64	diffusing UV filter kit
QF65	clear UV filter kit
QF66	color gel pack
QF67A	wide angle diffuser





**Other Quantum Products**



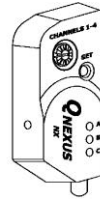
PILOT



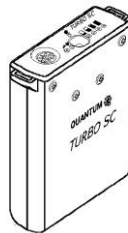
FREE X WIRE



FW7Q



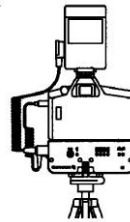
QNEXUS



TURBO SC



TURBO 2X2



TURBO  
COMPACT





FCC tested to comply with FCC standards

**CANADA : 3707A-2811**  
**FCC ID: CEXQFTRIO**  
**Qflash Trio**

This device complies with Part 15 of the FCC Rules and with RSS-210 of Industry & Science Canada. Operation is subject to the following conditions: 1) this device may not cause harmful interference, and 2) this device must accept any interference received including that which may cause undesired operation of the device

**IMPORTANT – CAUTION**  
**Changes or modifications to this equipment could**  
**void your authority to use this product under the**  
**equipment authorization granted by the regulating**  
**agencies**



CE 0678 !

**Declaration of Conformity:** Quantum Instruments, Inc. declares that **Qflash Trio** satisfies all the technical regulations applicable to the product within the scope of Council Directive 1999/e/EC.



Quantum Instruments (A division of PromarkBRANDS)  
1268 Humbracht Circle  
Bartlett, Illinois 60103-1631  
Tel: (800) 989-0505 Fax: (630) 830-2525  
Website: www.qtm.com

P641-3

