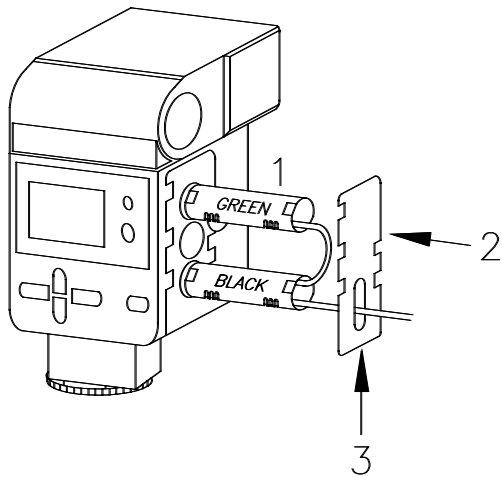




# QUANTUM

## XK6 Instructions



1. INSTALL MODULE AS SHOWN
2. COMPRESS SHIM INTO BATTERY COMPARTMENT
3. MOVE SHIM UP INTO LOCKING POSITION

**QUANTUM INSTRUMENTS INC.**  
**10 Commerce Drive Hauppauge, NY 11788**  
631 656 7400 (TEL) 631 656 7410 (FAX)  
[www.qtm.com](http://www.qtm.com)