

MDC2 INSTRUCTIONS

- Use the cable retainer to help secure the MDC2 plug in the power jack.
- Clean dirt and grease from the retainer area as shown in diagram.
- Apply adhesive backed cable retainer with firm pressure to housing location as shown. Avoid touching adhesive.
- Hold retainer firmly against the camera while inserting the cable.
- Pull the cable taut to take up any slack.

Extra retainer enclosed.



QUANTUM INSTRUMENTS INC.

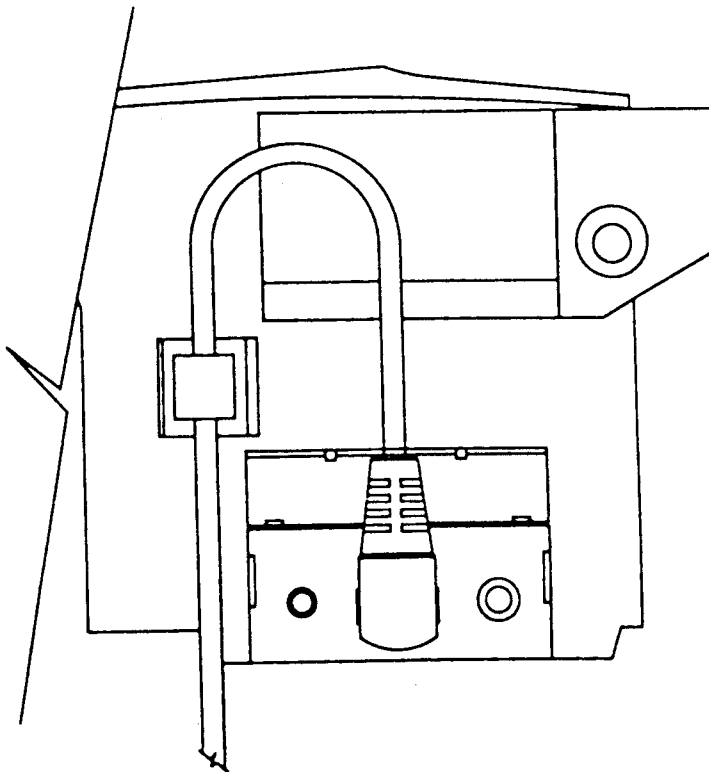
1075 Stewart Avenue, Garden City, NY 11530

Tel: (516) 222-6000 • Fax: (516) 222-0569

E-Mail: QuantRep@qtm.com

www.qtm.com

P-522



GRIPPER PLUG MOUNTING INSTRUCTIONS

Attached to one end of the flash module is Quantum's gripper plug.

One of the important features of this plug is that it can be locked onto the battery! This is achieved by a simple mechanical process. The gripper plug eliminates the possibility of the plug becoming disconnected from the battery — at the worst possible time.

HOW TO USE:

1. Insert the module into the flash battery compartment as shown in the module instructions.
2. Before inserting the plug into the Quantum Battery, loosen the shell until the locking fingers just start to become hidden under the shell. Insert the plug into the battery output jack until it is firmly seated. If you do not loosen the shell first, the plug will be difficult to insert into the battery. (Fig. 1)
3. While holding the plug body, tighten the shell. It is not necessary to over-tighten the plug. Once you begin to feel resistance when tightening, you'll only need to tighten it 1/8 of a turn more to lock the plug onto the Quantum Battery. (Fig. 2)
4. To release the plug, loosen the shell about one turn and the plug can be disconnected from the battery.

