

QUANTUM POWER MODULE Mi & Xi

INSTRUCTIONS

INTRODUCTION

Modules Mi and Xi were specially designed for use with the Minolta 3200i. The following instructions include general information for modules Mi and Xi and specific instructions for operating module Mi with the Quantum Battery 1 or module Xi with the Bantam Battery. Read thoroughly before proceeding.

Instructions for:

QUANTUM BATTERY 1 MODULE Mi

1. Turn the Quantum Battery OFF.
2. Locate the module inside the flash according to diagram A.
3. Plug the module into either flash output on the Quantum Battery.
4. Turn Quantum Battery ON for a maximum of one second.

If the flash is not *powered up** instantly, turn the Quantum Battery OFF immediately**.

Instructions for:

BANTAM BATTERY MODULE Xi

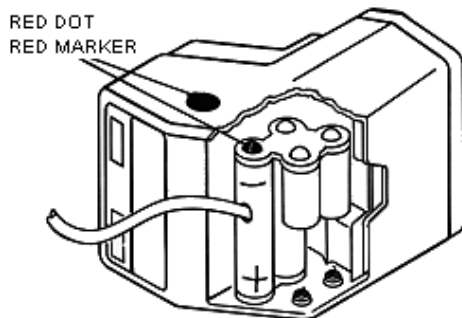
1. Locate the module inside the flash according to diagram A.
2. Plug the module into the connector jack for a maximum of one second.

If the flash is not *powered up** instantly, remove the module plug from the Bantam Battery immediately**.

NOTES:

*You can tell if your flash is powered up by any of the indicators on the flash lighting up or by listening for the whine of the flash recycling.

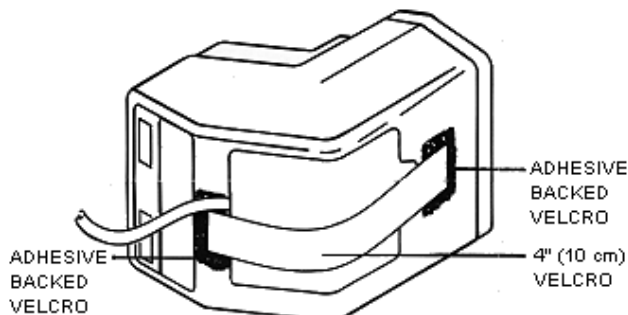
**If your flash does not respond, check to make sure the module is properly located inside the flash. Also check the model number on your flash with the number on the module box. If you still have difficulty consult your dealer or contact us for assistance before proceeding.



diag. A

MODULE LOCATION

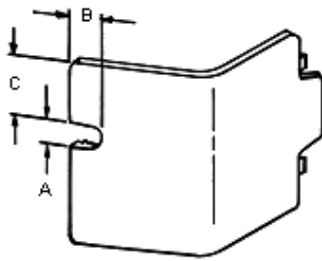
1. When inserting the module into your flash note the position of the red marker.
2. Place one of the red dot stickers included with the module on the flash next to the red marker as a reminder for future use.



diag. B

SECURING THE BATTERY DOOR

Secure the module inside the flash by placing one adhesive backed piece of velcro on either side of the battery door, use the 4" long (10cm) piece to secure the door.



diag. C

OPTIONAL - NOTCHING THE BATTERY DOOR

You may prefer to notch the battery door to allow for the module cord. Follow the dimensions shown in diagram C. Use caution so as not to cut the inside rib on the battery door.

	INCHES	MM
A	1/4"	6.35
B	3/8"	9.5
C	3/4"	19

GRIPPER PLUG MOUNTING INSTRUCTIONS (FOR Mi)

Attached to one end of the flash module is Quantum's gripper plug. One of the important features of this plug is that it can be locked onto the battery! This is achieved by a simple mechanical process. The gripper plug eliminates the possibility of the plug becoming disconnected from the battery - at the worst possible time.

HOW TO USE:

1. Insert the module into the flash battery compartment as shown in the module instructions.
2. Before inserting the gripper plug into the Quantum Battery, loosen the shell until the locking fingers just start to become hidden under the shell. Insert the plug into the battery output jack until it is firmly seated. If you do not loosen the shell first, the plug will be difficult to insert into the battery (Fig. 1)
3. While holding the plug body, tighten the shell. It is not necessary to over-tighten the plug. Once you begin to feel resistance when tightening, you'll only need to tighten it 1/8 of a turn more to lock the plug onto the Quantum Battery. (Fig. 2)
4. To release the plug, loosen the shell about one turn and the plug can be disconnected from the battery.

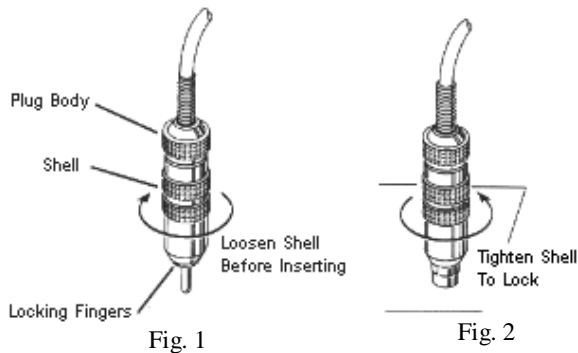


Fig. 1

Fig. 2