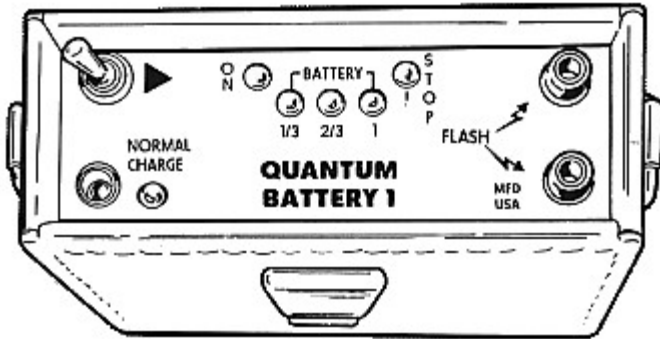


QUANTUM BATTERY 1

OPERATING INSTRUCTIONS

For QB1 Batteries with Serial Numbers : C808 - E764

FIRST THINGS FIRST



The Quantum Battery you just purchased is a high performance "rechargeable" battery pack for portable flash units.

Proper charging is the key to quality performance and long battery life. It is important to thoroughly read and understand the instructions that follow.

To use your new Quantum Battery with your flash, a module (purchased separately) is required. Consult your dealer or the Compatibility Chart from our web page for a module suitable for your flash.

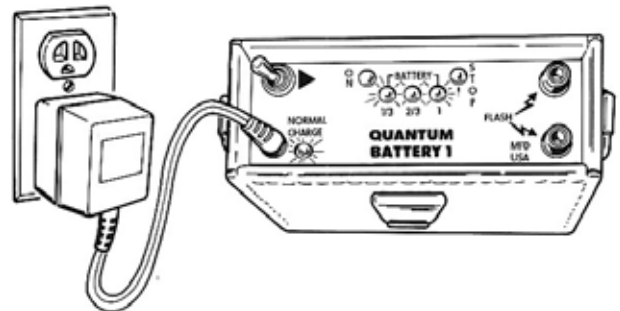
CHARGING - WHEN AND HOW

When To Charge:

- Immediately after purchasing.
- As soon as possible *AFTER EACH TIME* you use the Quantum Battery.
- Stop using and charge if the 1/3 Battery light does not light within 15 seconds after the flash is fired. (See "Green Battery Lights" under "Special Features").
- Charge before a shoot to "Top Off" your Quantum Battery.
- Storing: Charge every three months to maintain maximum recharge life. (Always store the battery in the OFF position).

How To Charge:

- Switch the Quantum Battery to the "OFF" position.
- Connect the Charger to the Quantum Battery and to a standard household outlet (USA-115 Volt AC).
- The yellow charge and green battery lights will be on. (It may take up to 1/2 hour for all the green battery lights to go on.)
- Charge time: Charge for a minimum of 10 hours but not more than 72 hours.

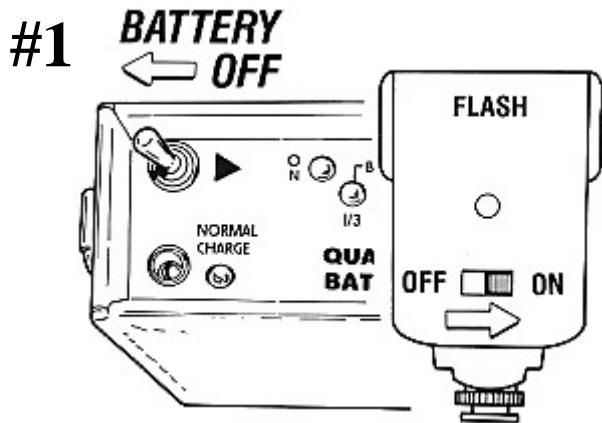


Travel:

When traveling to countries with different voltage ratings, a Quantum Charger recommended for that area is required. Do not use a voltage adaptor. See our web page for charger listing.

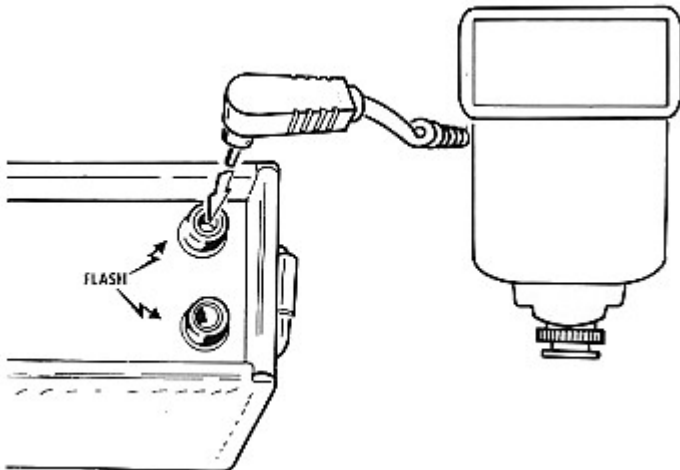
HOW TO POWER YOUR FLASH: STEPS 1-4

Before trying to power your flash read steps 1-4 thoroughly. It is important that you understand how your flash will respond with the module connected in both the (✓) correct and (X) wrong positions. Leaving the module connected to the flash in the (X) position with the Quantum Battery ON could damage your flash.



Turn the Quantum Battery OFF.
Turn the flash on.

#2

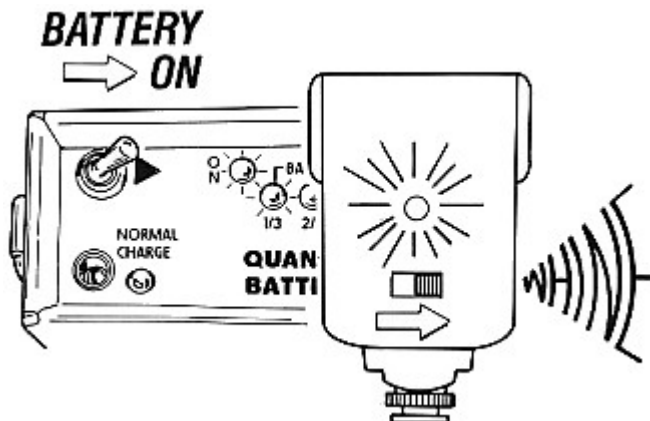


Place the module inside the flash.
(SEE INSTRUCTIONS INCLUDED WITH THE MODULE).
Connect the module to either flash output of the Quantum Battery.

#3 Turn the Quantum Battery "ON" for ONE SECOND. If you have the (✓) correct position the flash will respond instantly. If you have the (X) WRONG POSITION TURN THE QUANTUM BATTERY OFF IMMEDIATELY!

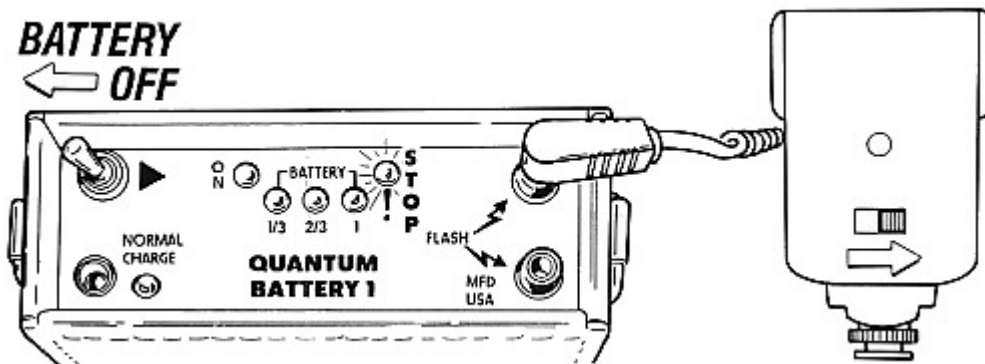
✓ CORRECT MODULE POSITION

- Any of the indicators on the flash will light.
or
- You will hear the whine of the flash recycling.

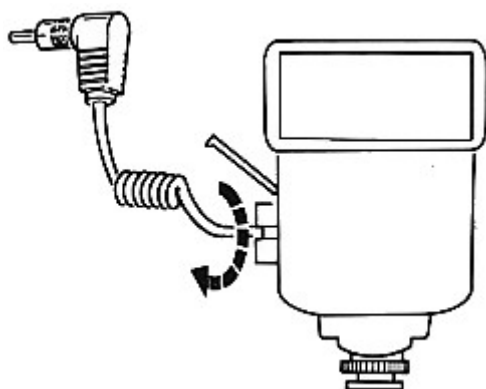


X WRONG MODULE POSITION

- There is no response from the flash. (None of the lights goes on and there is no sound.)
or
- The red **STOP!** indicator on the Quantum Battery will light.



#4



If the module is in the wrong position:
Turn the module and reposition it inside the flash. Repeat steps 1-4 until your flash responds and the (✓) correct position has been determined.

SPECIAL FEATURES

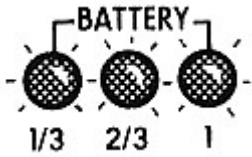
GREEN BATTERY LIGHTS:

The battery lights indicate the amount of power in the battery (see diag. A, B, & C). After firing the flash the lights will go out then go on again after the flash recycles. The battery lights are accurate 15 seconds after the flash is fired. If the 1/3 battery light does not light within 15 seconds after the flash is fired recharge the Quantum Battery immediately.

IMPORTANT CHARGING NOTE:

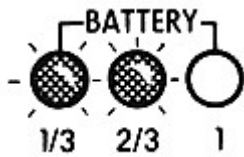
Charge the Quantum Battery after each time it is used (even if the battery lights display full power).

DIAG. A



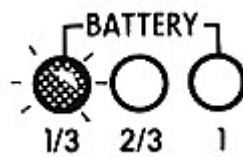
FULL POWER

DIAG. B



2/3 POWER REMAINING

DIAG. C

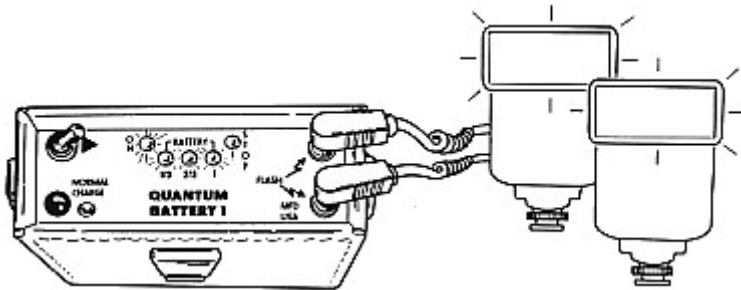


1/3 POWER REMAINING

**STOP AND RECHARGE
IF THE 1/3 LIGHT IS
NOT ON 15 SECONDS
AFTER FLASH IS FIRED**

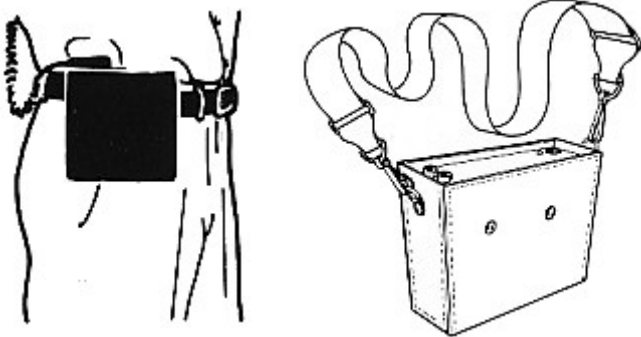
DUAL FLASH OUTPUTS:

Modules can be connected to both flash outputs for dual flash operation.



CARRYING THE QUANTUM BATTERY:

Clip the Quantum Battery to your belt or connect your camera strap to the "D" rings for over the shoulder wearing.



CARE AND MAINTENANCE

- To conserve power during a shooting session, switch the Quantum Battery to the OFF position when it's not being used.
 - **DO NOT EXCEED** the flash manufacturer's recommendation for the **MAXIMUM NUMBER OF FULL-POWER CONSECUTIVE FLASHES** without a **COOL-OFF PERIOD**.
 - Store at room temperature. Recharge every 3 months when in storage.
 - Recharge indoors at room temperature.
 - Use the Quantum Battery between temperatures -40°F and 120°F (-40°C to 55°C).
 - Never submerge the Quantum Battery or Charger in water.
-

TROUBLESHOOTING

Flash Not Powered:

- Is the correct Module being used?
- Is the module in the correct position and firmly seated inside the battery compartment?
- Is the Module securely plugged into the output jack?
- Is the flash switched ON?
- Has the Quantum Battery been properly charged?

Charger Not Charging:

- Is the Charger plugged into a working outlet?
- Is the charger securely plugged into the charge jack of the Quantum Battery?
- Is the Quantum Battery switch in the OFF position?

Other:

- If the red STOP! light goes on during normal use it could indicate a malfunction or temporary overload. Turn the Quantum Battery "OFF" and disconnect the module, review instructions, reconnect and try again. If you continue to have a problem contact our Service Department at Quantum Instruments.
- When the battery power diminishes substantially, the cells can be replaced by sending the Quantum Battery and the charger to Quantum Instruments, Service Department.

* Specifications subject to change without notice.



CONTAINS SEALED LEAD ACID BATTERY.
MUST BE RECYCLED OR DISPOSED OF PROPERLY.

DO NOT PLACE USED BATTERIES IN YOUR REGULAR TRASH!

Return this battery to a federal or state approved sealed lead battery recycler.
This may be where you purchased the battery.