

QUANTUM RA-17

AC ADAPTOR FOR HB-36, RA-16 AUTOMOBILE / FAST CHARGERS

INSTRUCTIONS

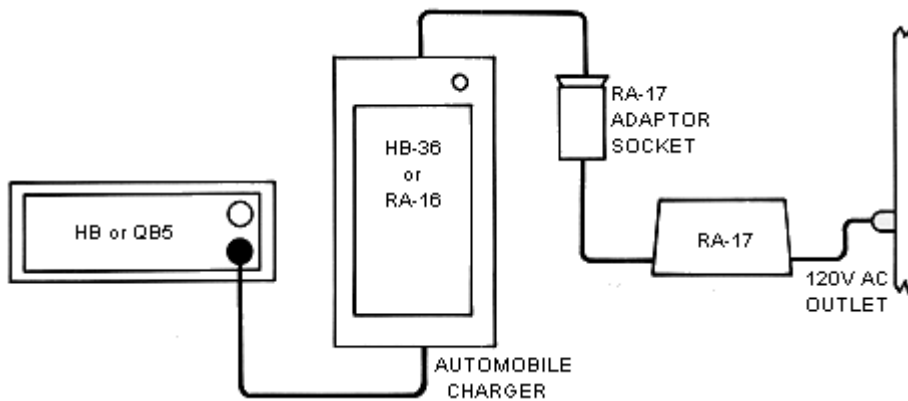
Be sure to use the appropriate charger for your Quantum Battery:

HB-36 for Quantum Ham Battery

RA-16 for Quantum Battery 5

1. Connect the Automobile Charger to either one of the two outputs on the Quantum Battery. Connect the Automobile lighter plug to the RA-17 socket, then plug the RA-17 into a 120V AC household outlet.
2. Turn the Quantum Battery ON. The yellow ON indicator and all three green battery indicators will light. The red indicator on the Automobile Charger will also light.
3. Charge for 6 hours, leaving the Charger connected for longer periods will not harm your Quantum Battery.
4. Turn the Quantum Battery OFF. Disconnect the RA-17 from the AC outlet first.

CAUTION: Do not connect a device (two way radio etc.) to the QB or HB while charging. The normal charge voltage may damage your equipment.



IMPORTANT! Make all connections before plugging the RA-17 into the AC outlet. After charging, always remove the RA-17 plug from the AC outlet first.