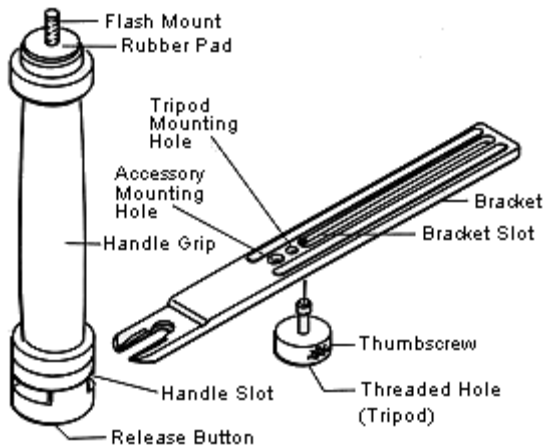


QUANTUM QUICK RELEASE "L" BRACKET QF70

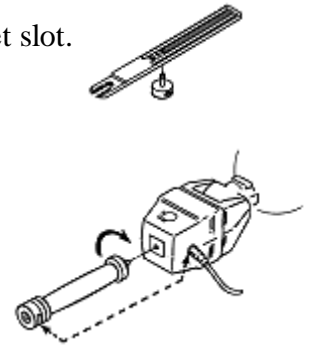
INSTRUCTIONS



Connect the thumbscrew to the bracket by threading it through the end of the bracket slot.

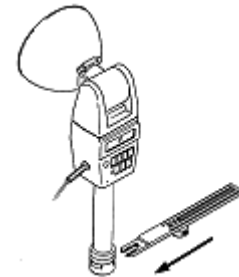
Mount and position camera to bracket using the thumbscrew.

Connect Qflash to handle grip of "L" Bracket by rotating grip clockwise until the rubber pad of the handle grip comes in contact with the base of the Qflash. Continue to tighten 1/2 to 1 (maximum) complete turn until the slot in the handle lines up with the Qflash cord.



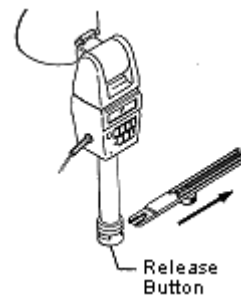
"L" Bracket Assembly

Slide the bracket into the slot on the bottom of the handle grip. Bracket can be inserted into either end of slot. The bracket will lock into place.

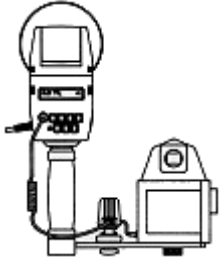


Disassembling the "L" Bracket

Push the release button located at the bottom of the handle grip, while pulling the bracket from the handle.



Typical Mounting Configurations



Accessory hole, used to mount a TTL adapter to the bracket.



Tripod Mount, using threaded tripod hole.



The threaded hole on the bottom of the thumbscrew can be used for mounting the bracket to a tripod.

IMPORTANT

Always turn the Battery Power Pack OFF when connecting or disconnecting an adapter to the Qflash or camera.