

# QUANTUM POWER MODULE MKZ2 & XKZ2

U.S. PATENT# 4,988,584

## INSTRUCTIONS

---

### INTRODUCTION

---

Modules MKZ2 and XKZ2 were specially designed for use with the Nikon SB24, SB25, SB26, SB27, SB28, SB28 Euro, Canon 540EZ, and 550EX.

Module MKZ2-for use with the Quantum Battery 1/1+

Module XKZ2-for use with the Bantam Battery

Read the following instructions thoroughly before proceeding.

### IMPORTANT

Do not exceed the flash manufacturers maximum allowance of consecutive full-power flashes without letting the flash cool down for a minimum of 10 minutes. If no recommendation is given, do not exceed 36 consecutive flashes without a 10 minute cool-down period.

### Instructions for:

#### QUANTUM BATTERY 1/1+ MODULE MKZ2

1. Turn the Quantum Battery 1/1+ OFF.
2. Install the module into the flash as shown in the module location diagrams.
3. Plug the module into one of the flash outputs on the Quantum Battery 1/1+.
4. Turn the Quantum Battery 1/1+ on.

If the flash does not power-up\* within one second, turn the Quantum Battery 1/1+ OFF immediately\*\*.

### Instructions for:

#### BANTAM BATTERY MODULE XKZ2

1. Install the module into the flash as shown in the module location diagrams.
2. Insert the plug of the module into the connector jack of the Bantam Battery.

If the flash does not power-up\* within one second, remove the plug from the Bantam Battery immediately\*\*.

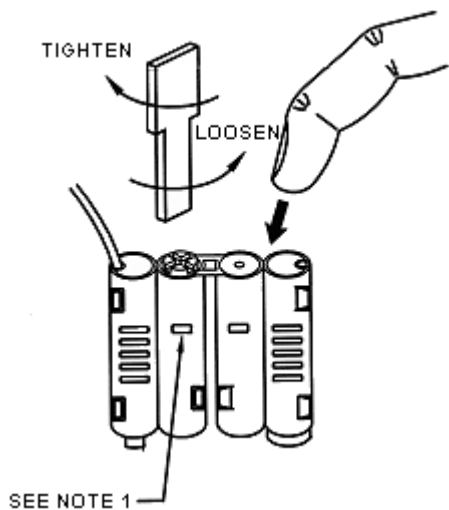
### NOTES:

\*You can tell if the flash is powered-up by checking to see if the LCD Panel on the flash becomes active, or by listening for the whine of the flash recycling.

\*\*If the flash does not respond, check to see if the module is correctly oriented inside the flash. If you still have difficulty, consult your dealer or contact us for assistance before proceeding.

### SECURING THE MODULE

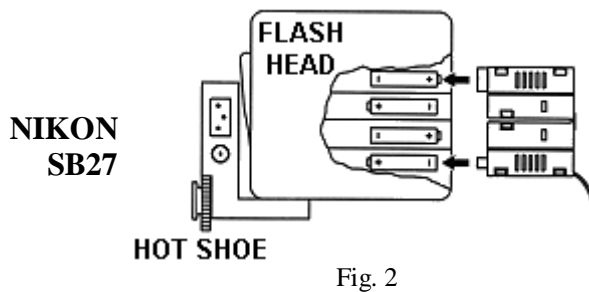
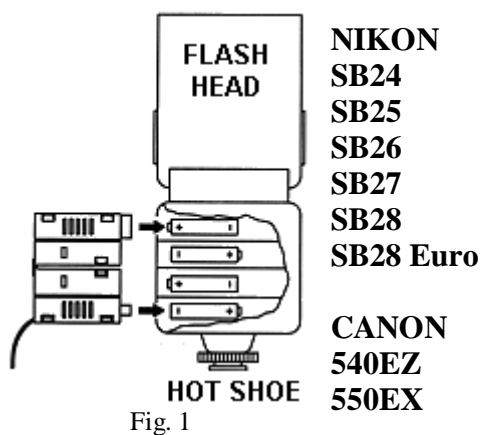
1. Using plastic screwdriver (attached to cord) turn screw in module counterclockwise 3 turns, or until wedges retract fully.
2. Install module into the flash in correct orientation - see figures 1 & 2.
3. Press module down firmly with finger and turn screw clockwise approximately 3 full turns, OR UNTIL YOU FEEL SOME RESISTANCE. DO NOT OVERTIGHTEN.
4. Pull module cord gently to assure that the module is secure.
5. Optional: Secure the battery door with velcro as shown in figures 3 & 4.



Follow the diagrams below for your flash model.

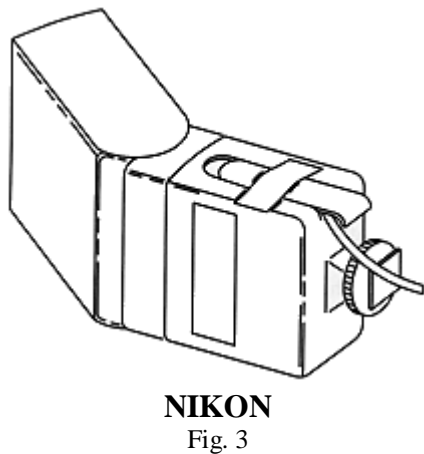
**MODULE LOCATION:**

Match the module to the diagram inside the flash.



**SECURING THE BATTERY DOOR:**

Use the Velcro strip provided with the module to secure the battery door.



Slide battery door closed as far as possible.

Place one adhesive backed strip on the battery door, place the other strip on the flash.

Secure the door using one 4" long (10cm) strip.

