

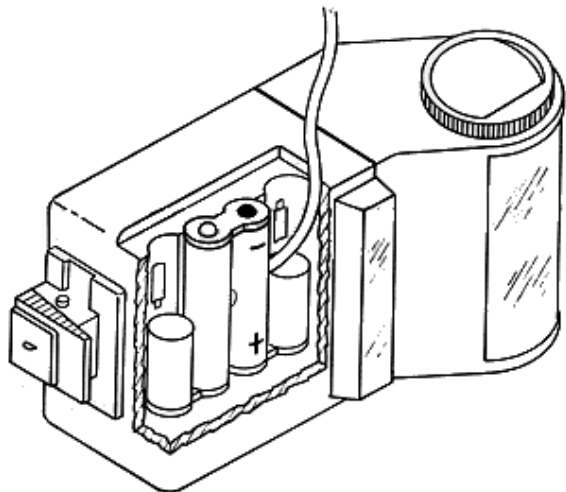
## QUANTUM POWER MODULE D INSTRUCTIONS

---

To insert Power Module D into Philips 536LS flash, first remove the battery door completely. Locate the module as shown with the cord extending from the top of the battery compartment (nearest the flash tube).

Depress the power module slightly and slide the battery door closed as far as possible. A slight gap will remain to allow for the power module cord. (The door will remain closed, however, you may in addition use the velcro fasteners to secure the battery door). See the Quantum Battery Instructions for further directions.

Thank you,  
Quantum Instruments Inc



### **IMPORTANT!**

**Always disconnect a power module by pulling the plug, not the chord.**