

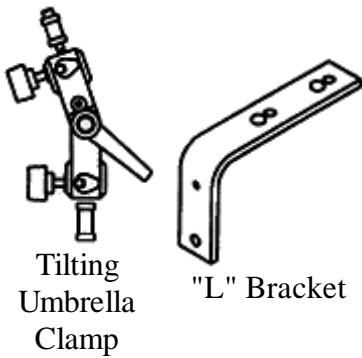
# QUANTUM QFLASH MULTI BRACKET QF72/73

## INSTRUCTIONS

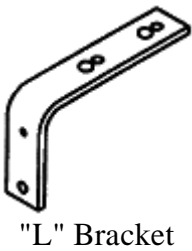
---

The Multi Bracket is used to mount Qflash in the center of an umbrella, to mount Qflash in a light box, and to mount a Radio Slave with Qflash either as a remote stationary flash or roving flash.

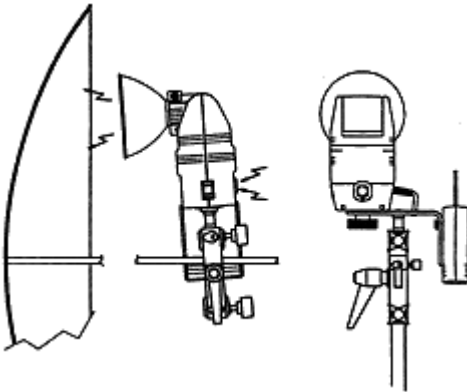
### Supplied with QF72



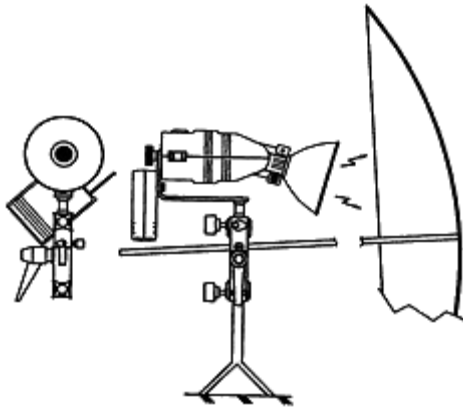
**Supplied with QF73** - user already has an umbrella clamp, or wishes to mount without umbrella.



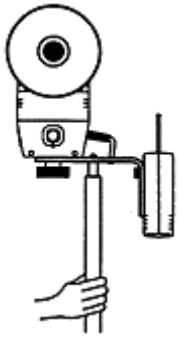
For use with Auto flash mode - Qflash sensor aimed at the subject!



To set up Qflash with an umbrella - for use in a manual flash mode or TTL:



To use Qflash and Radio Slave as a remote flash - either on a tripod or roving:



The "L" bracket has threaded holes for 1/4" and 3/8" threads.