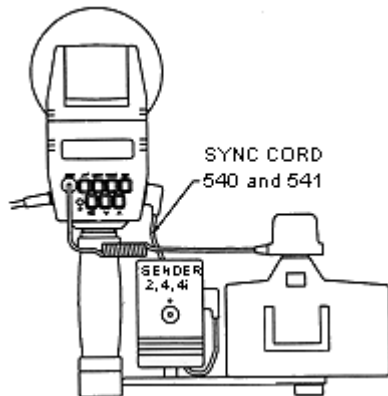


## How to connect a Radio Slave to your Qflash/TTL setup

---

The diagram below shows the connections:



1. Connect the Radio Slave Sender to the Qflash sync output:

- For Radio Slave 4/4i, use Quantum Cord # 540
- For Radio Slave 2, use Quantum Cord # 541

These two cords are available from your Quantum Dealers.

2. The above setup will work with:

- QFT/QFT2 serial numbers A6300 and above, and with all QA and QB serial numbers
- QFX/QFX2 serial numbers A6325 and above, and with all QA and QB serial numbers