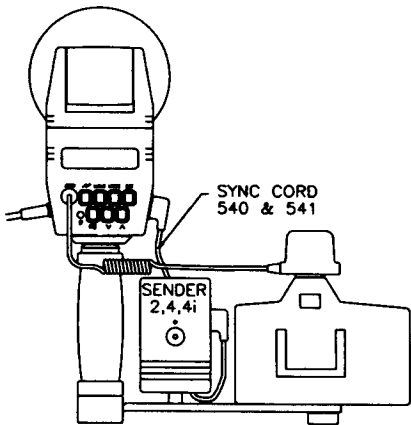


# How to connect a Radio Slave to your Qflash/TTL setup

---

The diagram below shows the connections:



1. Connect the Radio Slave Sender to the Qflash sync output:
  - For Radio Slave 4/4i, use Quantum Cord # 540
  - For Radio Slave 2, use Quantum Cord # 541These two cords are available from your Quantum Dealers.
2. The above setup will work with:
  - QFT/QFT2 serial numbers A6300 and above, and with all QA and QB serial numbers
  - QFX/QFX2 serial numbers A6325 and above, and with all QA and QB serial numbers