

## QUANTUM POWER MODULE S

### INSTRUCTIONS

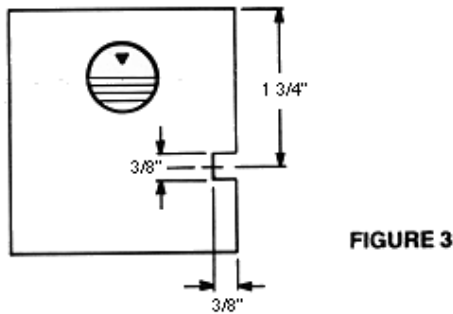
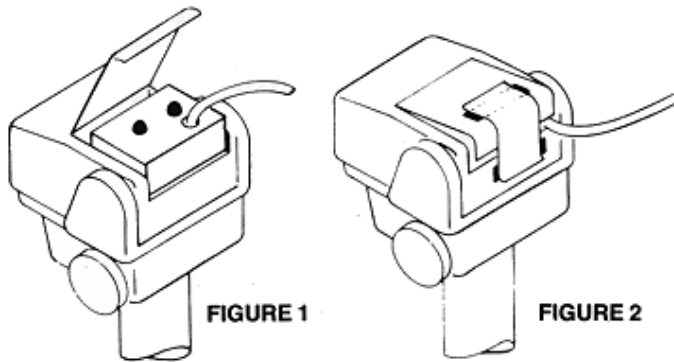
---

Remove the Sunpak Battery chamber from your flash and insert Power Module S into the battery compartment. Power Module S is keyed so that it will fit just one way. See figure #1.

To close, velcro strips have been provided. Follow the diagram in figure #2.

If you prefer to notch the door, follow the diagram in figure #3. If this procedure is followed, the two black buttons must be removed from the Power Module. This can be done by sliding a screwdriver between the button and the housing and popping the button off the Power Module.

See the Quantum Battery Operating Manual for further instructions.



**CAUTION!** The Quantum Battery Power Modules are designed for use with the Quantum Battery. To avoid damage to your flash **DO NOT USE WITH OTHER POWER PACKS.**