



Qflash 5d -- New Features

These instructions supplement the Qflash 4d Operating Instructions for the additional features of Qflash 5d

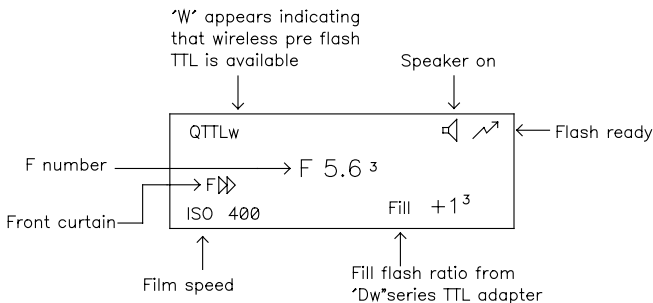
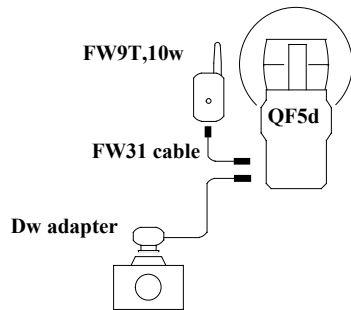
Qflash 5d models add several new features for wireless TTL operation. These features apply in combination with Dw series QTTL Adapters and FreeXWire Receivers FW7Q and FW8R, Transmitter FW9T, and Transceiver FW10w. Model FW10w is an upgrade to FW10. Please contact Quantum Customer Service if you wish to upgrade a model FW10 to FW10w.

The Sections below are addendums to the Qflash 4d Operating Instructions, included with your Qflash 5d. For additional set-up details please refer also to the operating instructions for Dw QTTL Adapters and FreeXWires FW7Q, FW8R, and FW9T.

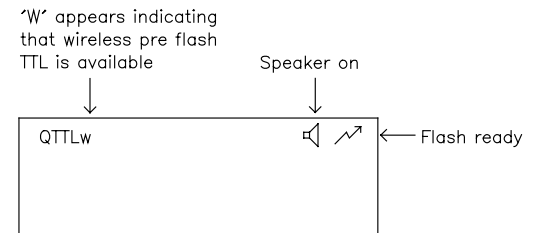
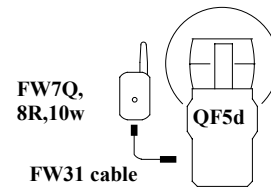
Section 6.6 Wireless Pre-flash TTL

TTL control of Qflash 5d is possible when shooting with digital or film cameras that use “pre-flash” evaluative metering. By combining a Qflash 5d with a Dw series QTTL adapters and FreeXWire digital radios, *wireless TTL* exposure control is possible. For details on Qflash settings, please see also the **Dw series QTTL DEDICATED ADAPTER INSTRUCTIONS**.

On camera set up

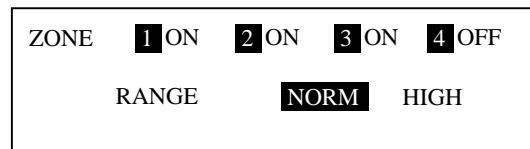


Remote flash set up



5.9.8 Options with a FreeXWire FW7Q

When an FW7Q receiver is connected to the Qflash 5d, a third options menu becomes available. With this options menu you can activate the Zones and the Range setting of the FW7Q.



Changing Zones

Press the **Options** ■ button three times.

Press the **Set** ◆ button until the Zone you want to change blinks. Use the **Up** ▲ or **Down** ▼ buttons to turn a Zone on or off.

Changing the Range

Press the **Set** ◆ button until the Range blinks. Use the **Up** ▲ or **Down** ▼ buttons to change between **NORM** and **HIGH**.

Note: If you are using wireless control, or wireless pre-flash TTL, use the **NORM** distance setting.

5.9.9 Options when used with an FW10 / FW10w
(relates to **Section 8.1.3**)

With an FW10/10w in the transmit mode (TX), a third options menu becomes available on Qflash. This menu is used for Wireless Control mode.



In the Wireless Control mode (**Section 8.1**) data is sent from the control Qflash to the remote Qflashes. A remote Qflash will send a signal back to the control confirming that it received the data, if the remote Qflash is connected to an FW10/10w. If a remote flash is connected to an FW7Q receiver or an FW8R receiver, it will **not** send back a confirming signal.

To avoid confusion when using an FW7Q or FW8R Receiver, set the Control Qflash to **not** expect a confirmation signal back from the remotes.

Changing data confirmation signal

Press the **Option** □ button three times.

Press the **Set** ◆ button until R1 or R2 blinks. Use the **Up** ▲ or **Down** ▼ buttons to set the following conditions.

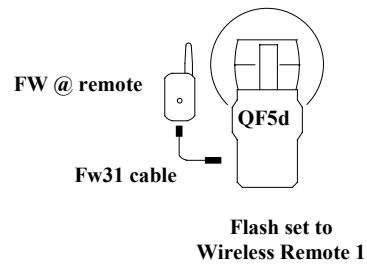
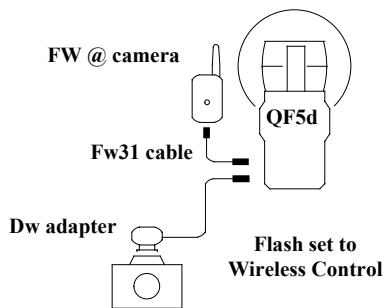
R1 → Remote flash 1 connected to an FW7Q or FW8R receiver -- no confirmation signal expected

R1 ↔ Remote flash 1 connected to an FW10 receiver -- expect a confirmation signal.

R2 → Remote flash 2 connected to an FW7Q or FW8R receiver -- no confirmation signal expected

R2 ↔ Remote flash 2 connected to an FW10 receiver -- expect a confirmation signal.

Recommended settings :



FW @ camera	FW @ remote	Data confirmation setting
FW10 / FW10w	FW10 / FW10w	R1 ↔
	FW8R	R1 →
	FW7Q	R1 →
FW9T	FW10 / FW10w	R1 →
	FW8R	R1 →
	FW7Q	R1 →