

# QUANTUM POWER MODULE V

## INSTRUCTIONS

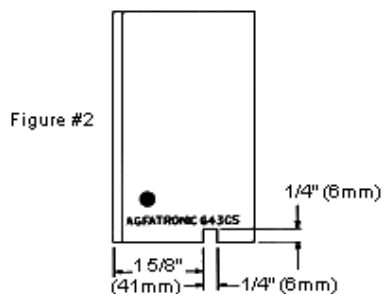
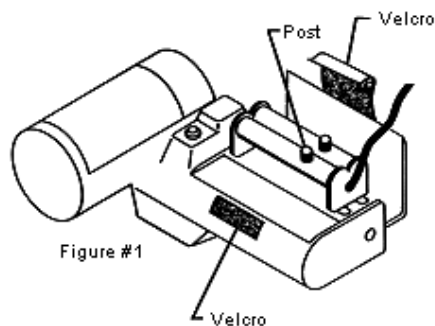
---

Power Module V was designed for use with the Agfatronic 643CS flash.

To use, remove the battery chamber and insert the Power Module with the coiled cord extending from the bottom of the flash.

To secure the Power Module velcro strips have been provided. Follow the diagram in figure #1.

If you prefer to notch the door follow the diagram in figure #2. If this procedure is followed remove the two black posts from the Power Module, see figure #1.



See the Quantum Battery 4 Operating Manual for further instructions.

Thank you,  
Quantum Instruments